

## AC-50 Single Point Actuator

### Squeeze handle

#### Features

- Single actuation capability
- Accommodates tubular construction or rounded mounting surfaces

#### Material

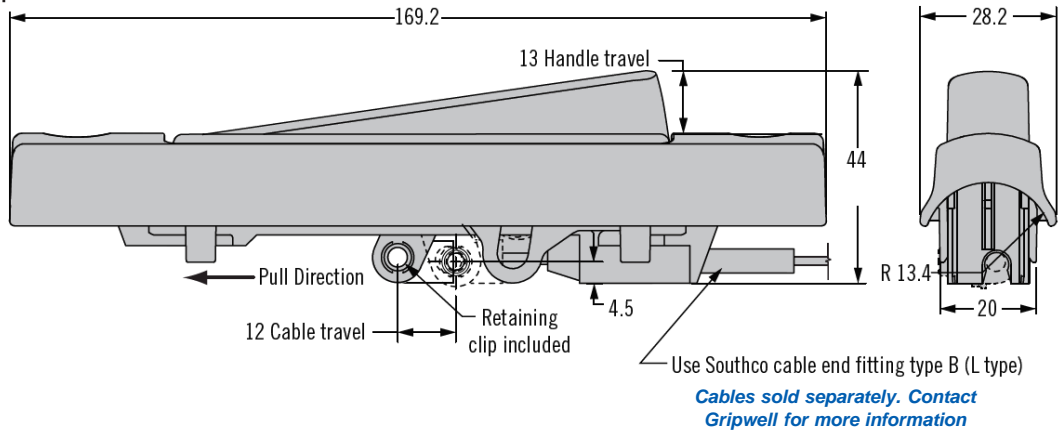
- Housing, handle: Glass-filled nylon, black

#### Installation Notes

- Countersunk screws or rivets recommended
- Installation torque of screws not to exceed 2 N.m maximum



#### Squeeze Handle



Part Number
AC-50-101-11

#### Panel Preparation

